



## GENUINE PARTS

### INSTALLATION INSTRUCTIONS

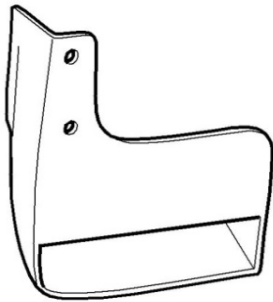
**DESCRIPTION:** Front Splash Guards Kit

**APPLICATION:** NV Cargo & Passenger

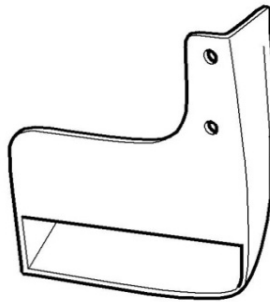
**PART NUMBER:** 999J2 HX003

#### KIT CONTENTS:

Item	Qty.	Part Description	Service Part Number
A	1	Splash Guard-FR RH (Passenger side)	63850 1PA0A
B	1	Splash Guard-FR LH (Driver side)	63851 1PA0A
C	6	Screw	14-51 00891
D	1	INSTALLATION INSTRUCTION REPLACEMENT TEMPLATE	



A



B



C

#### TOOLS REQUIRED:

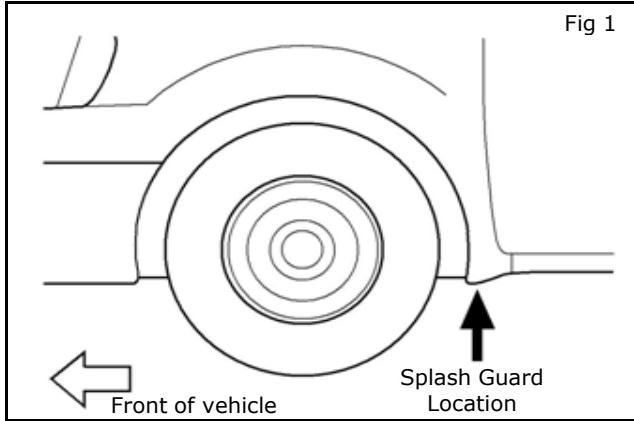
- Clean Cloth
- #2 Phillips Screwdriver

#### PRE-INSTALLATION CAUTIONS/NOTES:

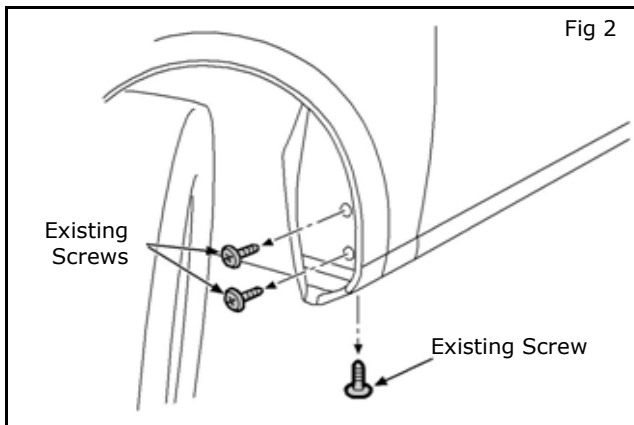
##### NOTE:

- These instructions are for driver side(LH) of vehicle; same procedure applies to passenger side.

## INSTALLATION PROCEDURE:

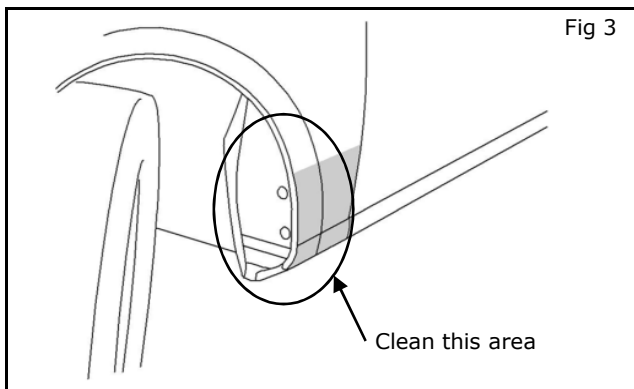


1) Splash Guards location.

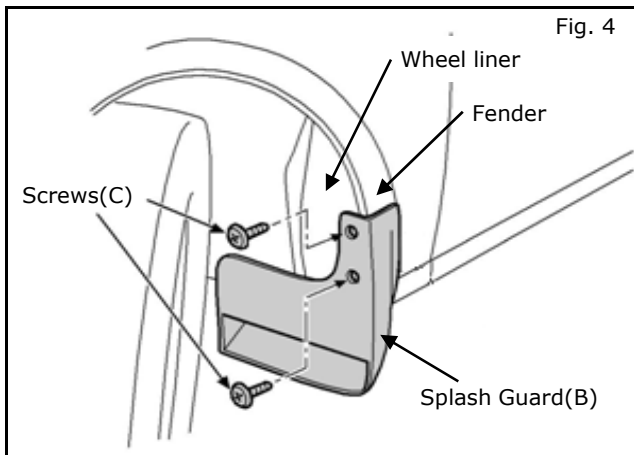


2) Turn Tire to left.

3) Remove and discard existing screws at 3 locations shown.

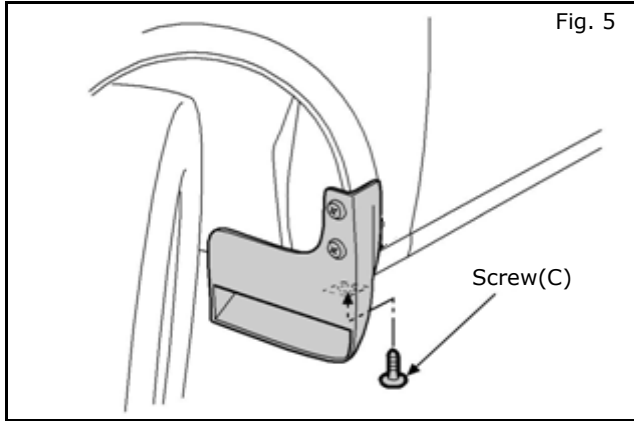


4) Thoroughly clean mounting surface.

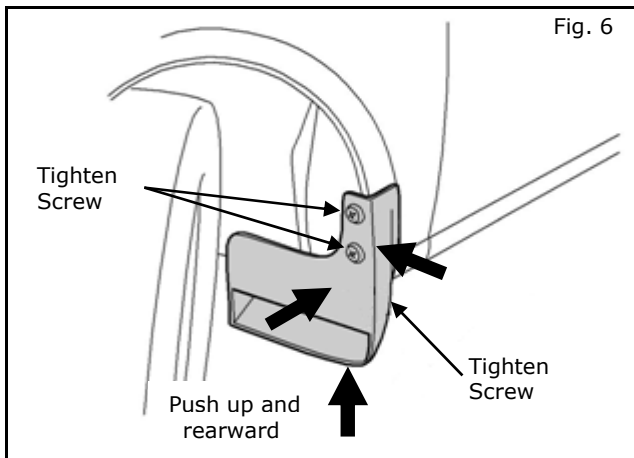


5) Align two holes in Splash Guard(B) to two holes in wheel liner and loosely attach Splash Guard to wheel liner and fender using Screws(C).

## INSTALLATION PROCEDURE:



- 6) Align lower hole in Splash Guard to lower hole in wheel liner and fender and loosely attach Splash Guard to wheel liner and fender using Screw(C).



- 7) Push Splash Guard up, inboard and rearward firmly to fender to ensure no gap around Splash Guard, tighten screws at locations shown.

- 8) Repeat same procedure for passenger side of vehicle.

## ACCESSORY CHECK:

- Check **no gap** around splash guards. (Step 7.)